

4

3

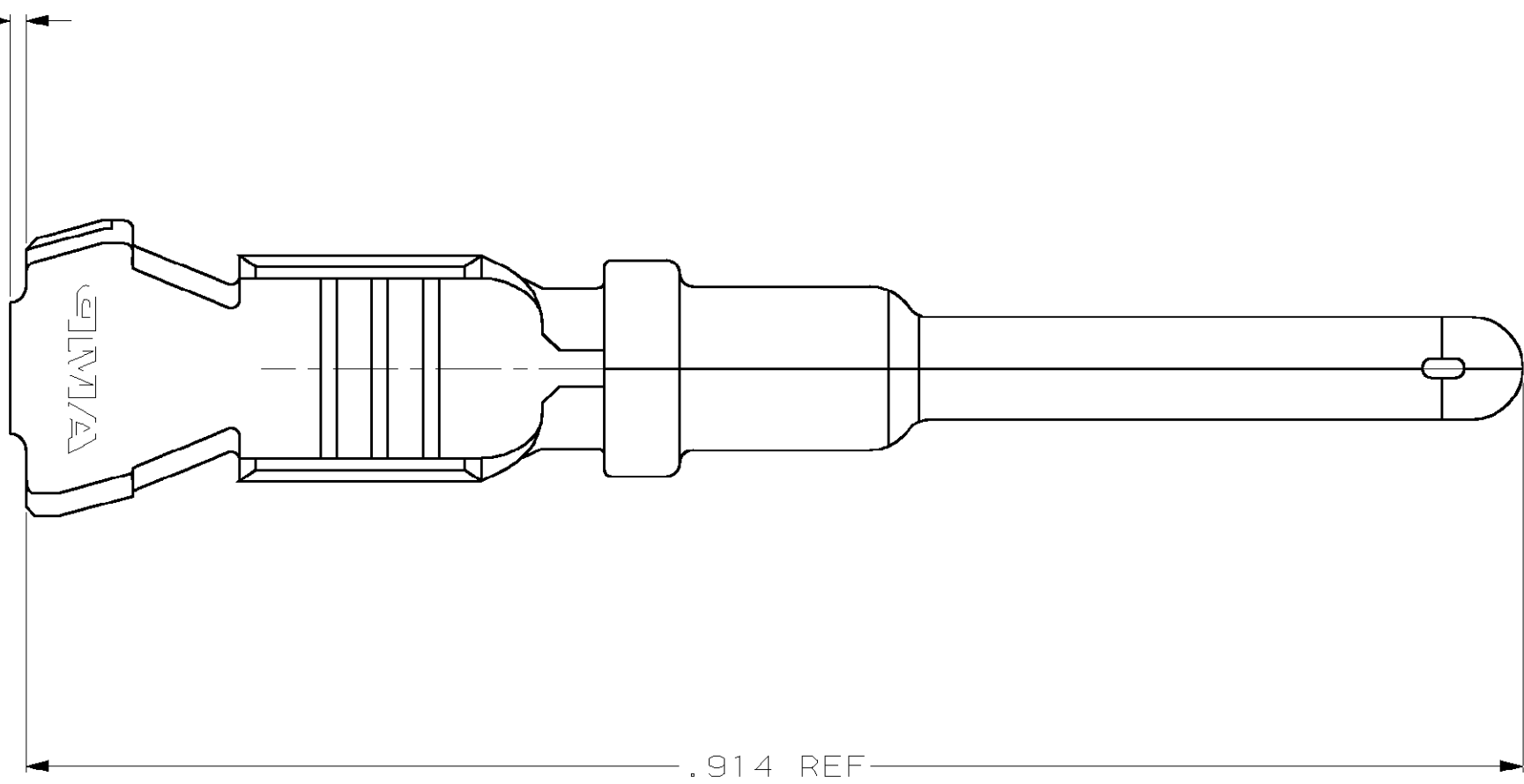
2

1

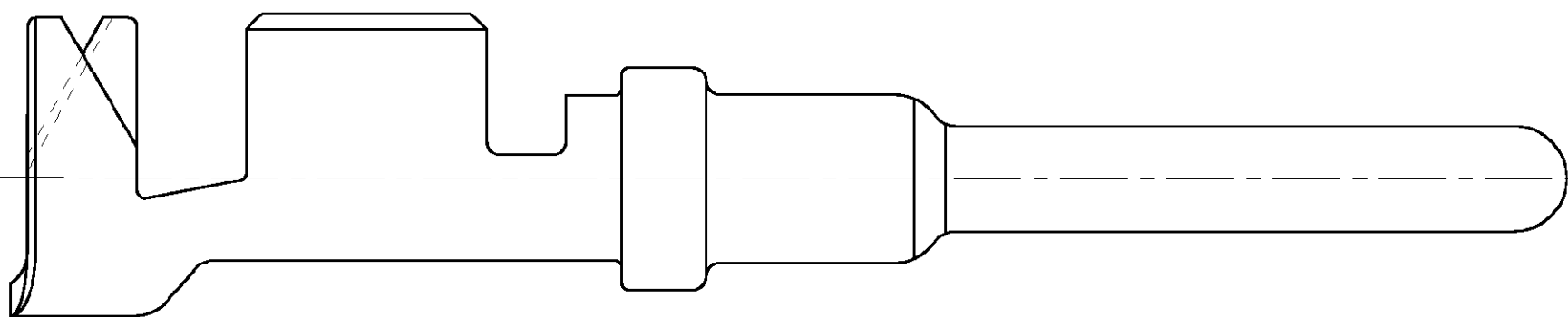
THIS DRAWING IS UNPUBLISHED. RELEASED FOR PUBLICATION .19
 BY AMP INCORPORATED. ALL RIGHTS RESERVED.

LOC	DIST	REVISIONS			
P	LTR	DESCRIPTION	DATE	DWN	APVD
GE	33	0	REL PER PR# 99-7	2-16-99	PC WL
		A	REV PER OK40-0013-01	24AUG01	AG MT

.010 MAX
CUT-OFF TAB



1. WIRE RANGE: 18-14 AWG



DESCRIPTION	FINISH	PART NUMBER
LOOSE PIECE VERSION OF 638078-3	NICKEL	776300-2
LOOSE PIECE VERSION OF 638078-1	GOLD	776300-1

THIS DRAWING IS A CONTROLLED DOCUMENT.		DWN P. COLLINS 2-16-99	AMP Incorporated Harrisburg, PA 17105-3508	
DIMENSIONS: mm		CHK W. LONG 2-16-99	NAME AMP	
TOLERANCES UNLESS OTHERWISE SPECIFIED: 0 PLC ± 1 PLC ± 2 PLC ±0.5 3 PLC ±0.13 4 PLC ± ANGLES ±		APVD S. MARPOE 2-16-99	PIN CONTACT, WIRE-TO-WIRE LOOSE PIECE	
MATERIAL	FINISH	APPLICATION SPEC	SIZE A2	CAGE CODE 00779
		WEIGHT	DRAWING NO G- 776300	RESTRICTED TO
		CUSTOMER DRAWING	SCALE 10:1	SHEET 1 OF 1
			REV A	

776300